

NewsLetter

Welcome to the New Millenium! So I see that the monthly RACES net is still a shambles. It seems that the NCS stations are looking to this newsletter for information. I even heard a station complaining that he didn't know the call up roster because it wasn't in the newsletter. Folks, this is the ARES newsletter! Any details about RACES are to be found on the RACES website or direct by email from the RACES officers.

Mark, KC2ENI

In this issue...

Up-coming Events	1
For Sale.....	1
Web Site Matters	1
Gizmo!	2
KNOW YOUR STUFF!	3
Boro Meetings.....	3
Monday Night ARES Net Schedule.....	3
Monday Night Net Script.....	4
NYC ARES TAC FREQS	6
SAME codes for WX-alert radios.....	6
NEW YORK CITY DISTRICT PERSONEL.....	7
FEMA Independent Study Course List.....	9

Up-coming Events

None that I know of. Would the EC's please send me a list of their activities?

For Sale

Nothing for sale this month. Don't forget that you can list anything you have for sale here. It only costs you an email.

Web Site Matters

So you'll see that the website has gone a bit Schizophrenic lately. It's now home to the ARES, RACES and Skywarn websites. All three domain names point to the same server and present you with a choice of which site to go on to. You can also collect your web-based email from the same page. Hall of shame additions are up this month with no fewer than 2 people phoning and 1 person radioing me to ask how to log into the ARES site. RTFM! And please remember that I'm not the webmaster! Mark, KC2ENI

Gizmo!

This gizmo thing is getting hard already and its only the 3rd issue! From now on *Gizmo!* Will be nt only a thing you can buy but a thing you can make. Remember that *Gizmo!* Will bring you things that could make your like easier with your ARES activities.

This month we look at HF data modes. Don't be put off buy the term 'HF'. The modes that this gizmo can do are equally at home on V/UHF too. We've long talked about using data modes in rest centers etc. This gizmo will allow you to add data modes to your setup by using your PC's sound card.

This circuit is very much like the RIGBlaster product you can buy from [West Mountain Radio](#) but it also acts not only as a sound card modem but as a HamCom style data slicer and modulator this allowing its use on all classes of PC assuming appropriate software.

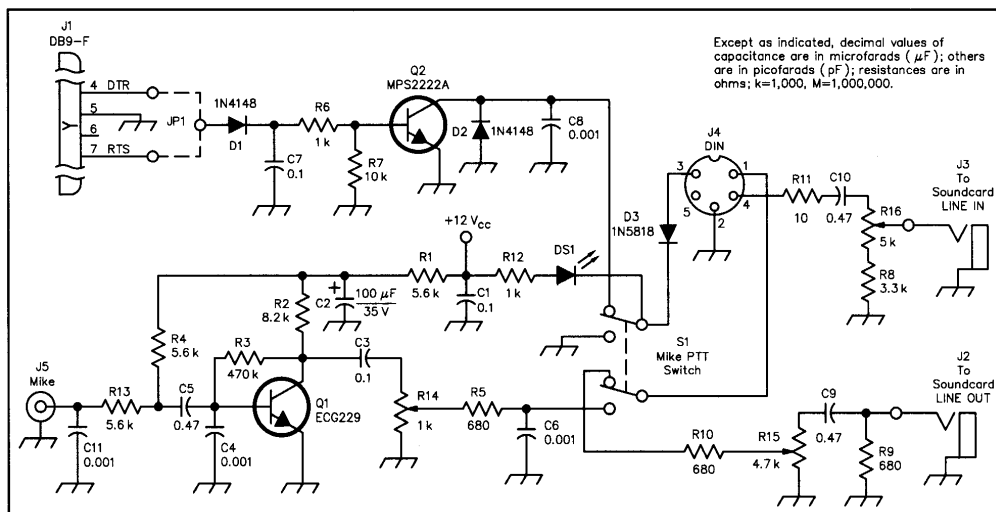
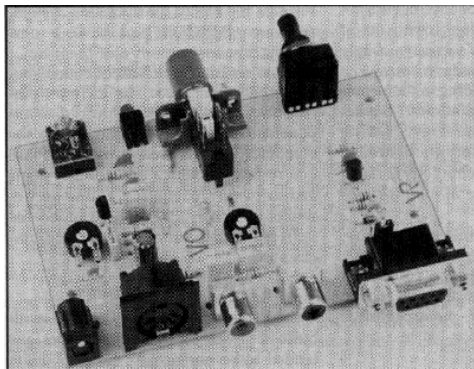


Figure 22—The PTTSound interface. RadioShack part numbers shown unless otherwise noted. Parts can also be obtained from Mouser Electronics (tel 800-346-6873), MCM Electronics (tel 800-543-4330) and other sources.

- C1, C3, C7—0.1µF ceramic (272-135)
- C2—100 µF 35V electrolytic (272-1028)
- C4, C6, C8, C11—0.001µF ceramic (272-126)
- C5, C9, C10—0.47 µF polyester (Mouser 140-PF1H474K)
- D1, D2—1N4148 diode (276-1122)
- D3—1N5818 diode (Mouser 625-1N5818)
- DS1—LED (276-041)
- J1—DB9 female jack
- J2, J3—Female RCA phono jacks
- J4—5-pin DIN jack
- R1, R4, R13—5.6 kΩ 1/4 W
- R2—8.2 kΩ 1/4 W

- R3—470 kΩ 1/4 W
- R5, R9, R10—680 Ω 1/4 W
- R11—10 Ω 1/4 W
- R6, R12—1 kΩ 1/4 W
- R7—10 kΩ 1/4 W
- R8—3.3 kΩ 1/4 W
- R14—1 kΩ trimmer (271-280)
- R15—4.7 kΩ trimmer (271-281)
- R16—5 kΩ linear taper (271-1714)
- S1—DPDT latching pushbutton switch (Mouser 612-MTH-22 and 612-1C-RD [cap])
- Q1—ECG229 transistor (MCM ECG229)
- Q2—MPS-2222A transistor (276-2009)



As you can see, the board is not difficult to build requiring only an hour of work. Radio, computer, audio and power connect on the back and the mic goes on the front.

If there's enough interest in this project I'll order up some boards. The entire cost should be less than \$30.

Mark, KC2ENI

KNOW YOUR STUFF!

Boro Meetings

Brooklyn meets on the 3rd Wednesday of the month at the Sephardic Community Center (Annex Building), 1901 Ocean Parkway (at Avenue S).

Manhattan/Bronx meets on the 3rd Thursday of the month at Red Cross 150 Amsterdam Ave. (66th Street). Manhattan/Bronx Net on 444.050 PL 114.8 at 8 PM Tuesdays. All are welcome to check in and also to come to the meeting.

Staten Island meets on the 4th Friday of the month at St Vincents Hospital at 355 Bard Ave. (nr Castleton).

Monday Night ARES Net Schedule

All are reminded that it is the sole responsibility of the scheduled NCS and alternate to keep each other posted as to their availability and replacement. This means that if you are unable to fulfill your scheduled assignment, YOU are responsible to find a replacement. If this involves swapping for another night with the scheduled NCS/ALT, then by all means do so (and fulfill your end of the bargain)! This schedule is being forwarded to N2VLT for hard copy printing and to OEM for advanced notice of who is expected for that night. I would like to see either the NCS or alternate at the OEM office. Any other operator intending on showing up at OEM must notify and obtain the OK of myself, as per OEM officials until further notice.

If there are any questions with this policy or the schedule, please feel free to contact me via email or phone.

NCS Schedule for 2001

Date	ARES NCS	Alt	RACES NCS	Alt
January 1, 2001	N2NOV	N2ZRC	N2NOV	N2ZRC
January 8, 2001	KE2UN	WA2RF		
January 15, 2001	AB2IZ	KC2ENI		
January 22, 2001	N2TZX	N2VLT		
January 29, 2001	W2JER	KB2KWI		
February 5, 2001	KC2AYG	W2MPL	KE2UN	KB2IQX
February 12, 2001	WA2RF	KE2UN		
February 19, 2001	N2ZRC	N2NOV		
February 26, 2001	KB2KWI	W2JER		
March 5, 2001	KC2ENI	AB2IZ	N2TZX	WA2RF
March 12, 2001	W2MPL	KC2AYG		
March 19, 2001	N2VLT	N2TZX		
March 26, 2001	N2FWR	N2NOV		
April 2, 2001	N2NOV	N2ZRC	AB2IZ	KC2ENI
April 9, 2001	KE2UN	WA2RF		
April 16, 2001	AB2IZ	KC2ENI		
April 23, 2001	N2TZX	N2VLT		
April 30, 2001	W2JER	KB2KWI		
May 7, 2001	KC2AYG	W2MPL	N2ZRC	N2NOV
May 14, 2001	WA2RF	KE2UN		
May 21, 2001	N2ZRC	N2NOV		
May 28, 2001	KB2KWI	W2JER		
June 4, 2001	KC2ENI	AB2IZ	W2MPL	KB2KWI

June 11, 2001	W2MPL	KC2AYG		
June 18, 2001	N2VLT	N2TZX		
June 25, 2001	N2FWR	KE2UN		
July 2, 2001	N2NOV	N2ZRC	KC2AYG	N2TZX
July 9, 2001	KE2UN	WA2RF		
July 16, 2001	AB2IZ	KC2ENI		
July 23, 2001	N2TZX	N2VLT		
July 30, 2001	W2JER	KB2KWI		
August 6, 2001	KC2AYG	W2MPL	KC2ENI	AB2IZ
August 13, 2001	WA2RF	KE2UN		
August 20, 2001	N2ZRC	N2NOV		
August 27, 2001	KB2KWI	W2JER		
September 3, 2001	KC2ENI	AB2IZ	KB2KWI	KE2UN
September 10, 2001	W2MPL	KC2AYG		
September 17, 2001	N2VLT	N2TZX		
September 24, 2001	N2FWR	AB2IZ		
October 1, 2001	N2NOV	N2ZRC	N2VLT	W2MPL
October 8, 2001	KE2UN	WA2RF		
October 15, 2001	AB2IZ	KC2ENI		
October 22, 2001	N2TZX	N2VLT		
October 29, 2001	W2JER	KB2KWI		
November 5, 2001	KC2AYG	W2MPL	WA2RF	KC2AYG
November 12, 2001	WA2RF	KE2UN		
November 19, 2001	N2ZRC	N2NOV		
November 26, 2001	KB2KWI	W2JER		
December 3, 2001	KC2ENI	AB2IZ	KB2IQX	N2VLT
December 10, 2001	W2MPL	KC2AYG		
December 17, 2001	N2VLT	N2TZX		
December 24, 2001	N2FWR	N2TZX		
December 31, 2001	N/A	N/A		

Monday Night Net Script

New York City Amateur Radio Emergency Service Net Script. January 2001

Calling all ARES stations, calling all ARES stations! Good Evening! This is the New York City ARES Net, which is conducted on the WB2ZSE repeater, and meets Monday nights at 8pm local time. Tonight your Net Control Station is _____

(your call, name, location.)

This is a directed net, and all communication must go through the Net Control Station at all times. Is the alternate Net Control Station on frequency, and are you prepared to follow along? (drop) I will now pause for five seconds to allow for any emergency or priority traffic for the Net. (drop. pause 5 seconds)

The purpose of this Net is to call together the volunteers enrolled in the New York City District Amateur Radio Emergency Service, for disseminating information regarding emergency communications, preparedness, and related topics of interest. ARES is sponsored by the American Radio Relay League. [At this time...the NCS may insert "PRE-CALLUP TRAFFIC" if necessary.]

(Check-ins)

At this time I will take check-ins for the Net in the following manner: Net Control will conduct a "Roll Call" by Borough. Each station will be called twice. If there is no response, Net Control will move on to the next station. Please respond ONLY with your call sign, OR your call sign and the word TRAFFIC, if

you have traffic for the Net. When you are acknowledged, Net Control will respond with the PROWORD "Roger". An "Open Call" will be issued for each Borough, for all stations not listed on the Call up Roster. All stations checking into tonight's net will be required to SECURE at nets end. Please listen to, and follow the instructions issued at the end of tonight's net. We will now begin call up for tonight's New York City ARES Net.

Callup Roster UPDATED: January 2001

--BRONX--

KA2BRH JOE
KA2KCR JOSE
KB2WUS FRANK
KC2AYG GUY
KC2BEF FRANK
N2ZRC ARTIE
WB2SEB SERGIO

--BROOKLYN--

AB2IZ ADAM
AB2LB KEN
KA2KDQ RICHARD
KB2IQX BILL
KB2NYG MATT
KC2BGT SAL
N2NDU HIP
W2JER JERROLD
W2MPL MIKE

--STATEN ISLAND--

KA2VAU STEVE
KC2DPP ALLAN
KC2CYE MIKE
KC2GUZ STEVE
KF2EO MIKE
N2BGR BILL
N2NOV CHARLIE
N2QXB PAUL
N2TEE JOE
N2UMC FRANK
N2VLT CHARLIE
N2ZWT RAY
N2ZYF KAREN
WA2RF RON

--MANHATTAN--

KA2WCB WALLY
KC2COP CHARLIE
KC2ENI MARK
KE2UN JOHN
N2TAW JAMES
W2BH BILL

--QUEENS--

KC2DHJ JOHN
N2CKK NELSON
N2EOI HARVEY
N2FWR JOHN
N2LDV LENNY
N2QHS RICHARD
N2SHQ TEDDY
N2TZX ANDY
WA2USJ JOE
WB2KDG STEVE
WB2TGY BOB

Traffic

We will now proceed with traffic for the Net. (Call stations with traffic). (After traffic, proceed with your topic. If you do not have one, call for late check-ins, out of area check-ins, and non-ARES stations supporting the Net)

We will now begin securing all stations checked into tonight's net. When you are called, please respond with your call sign and the word "secure". (Call all stations checked into tonight's net)

Closing

New York City ARES wishes to thank WB2ZSE for the use of this repeater, and all those who checked in this evening. Next weeks Net is scheduled to be conducted by:

_____ with _____ as alternate.
(callsign) (callsign)

This is _____ saying SEVEN THREE to all, and THANK YOU (call sign) for joining us on this weeks' Amateur Radio Emergency Service NET!

(First Monday)

All RACES members please standby for the New York City Radio Amateur Civil Emergency Service Net!

This is _____ saying SEVEN THREE to all, and THANK YOU (call sign) for joining us on this weeks' Amateur Radio Emergency Service NET!

I am now returning this repeater to regular amateur use at _____ local time. This is _____. OUT!
(call sign)

REMEMBER! (Check-in procedures)

"Each station will be called twice". Call ONCE then DROP. If no response call 2nd time. Still nothing, move on! "An open call will be issued for each Borough, for all stations not listed". Do this at the end of EACH Borough call up, NOT at the end of the entire Roster! Don't forget LATE CHECK-INS, OUT OF AREA CHECK-INS, and NON-ARES check-ins.

NYC ARES TAC FREQS

TAC Channel	Output Frequency	Shift	PL Tone	Location
TAC 01	147.270	+	141.3 / 127.3	Manhattan
TAC 02	147.000	-	136.5	Manhattan
TAC 03	444.200	+	136.5	Queens
TAC 04	145.230	-	114.8	Brooklyn
TAC 05	145.270	-	88.5	Queens
TAC 06	448.625	-	136.5	Queens
TAC 07	443.300	+	88.5	Bronx
TAC 08	147.240	+	94.8	Bronx
TAC 09	447.925	-	114.8	Brooklyn
TAC 10	444.050	+	114.8	Manhattan
TAC 11	146.730	-	88.5	Brooklyn
TAC 12	445.825	-	156.7	Staten Island

SAME codes for WX-alert radios

Use these SAME codes in the newer weather radios to be notified for only the counties that you are interested in.

TRI-STATE / S.A.M.E. CODES

NY

ST. COUNTY	SAME #	NWR TRANSMITTER	FREQ MHz.	CALL	WATTS
NY Bronx	036005	New York City NY	162.550	KWO35	500
NY Kings	036047	New York City NY	162.550	KWO35	500

NY Nassau	036059	New York City NY	162.550	KWO35	500
NY New York	036061	New York City NY	162.550	KWO35	500
NY Queens	036081	New York City NY	162.550	KWO35	500
NY Richmond	036085	New York City NY	162.550	KWO35	500
NY Rockland	036087	New York City NY	162.550	KWO35	500
NY Suffolk	036103	New York City NY	162.550	KWO35	500
NY Westchester	036119	New York City NY	162.550	KWO35	500

CT					
ST. COUNTY	SAME #	NWR TRANSMITTER	FREQ MHZ.	CALL	WATTS
CT Fairfield	009001	New York City NY	162.550	KWO35	500

NJ					
ST. COUNTY	SAME #	NWR TRANSMITTER	FREQ MHZ.	CALL	WATTS
NJ Bergen	034003	New York City NY	162.550	KWO35	500
NJ Essex	034013	New York City NY	162.550	KWO35	500
NJ Hudson	034017	New York City NY	162.550	KWO35	500
NJ Hunterdon	034019	New York City NY	162.550	KWO35	500
NJ Mercer	034021	New York City NY	162.550	KWO35	500
NJ Middlesex	034023	New York City NY	162.550	KWO35	500
NJ Monmouth	034025	New York City NY	162.550	KWO35	500
NJ Morris	034027	New York City NY	162.550	KWO35	500
NJ Ocean	034029	New York City NY	162.550	KWO35	500
NJ Passaic	034031	New York City NY	162.550	KWO35	500
NJ Somerset	034035	New York City NY	162.550	KWO35	500
NJ Sussex	034037	New York City NY	162.550	KWO35	500
NJ Union	034039	New York City NY	162.550	KWO35	500
NJ Warren	034041	New York City NY	162.550	KWO35	500

NEW YORK CITY-LONG ISLAND (NLI) SECTION

NEW YORK CITY DISTRICT PERSONEL

Position	Name	Call Sign	Section	Email
SEC	Tom Carubba	KA2D	NYC-LI	ka2d@qsl.net
DEC	Charles Hargrove	N2NOV	NYC-Citywide	n2nov@lsa.net
EC-Ops	Jerrold Loewenthal	W2JER	NYC-Citywide	jloewe@worldnet.att.net
EC	John Kiernan	KE2UN	Bronx (act.) see Manhattan	
EC	Adam Fine	AB2IZ	Brooklyn	ab2iz@arrl.net
EC	John Kiernan	KE2UN	Manhattan	johnke2@cs.com
EC	Andy Borrok	N2TZX	Queens	n2tzx@webspan.net
EC	Charles Hargrove	N2NOV	Staten Island	n2nov@lsa.net
AEC	Bill Hindin	W2BH	Manhattan	bildin@ix.netcom.com
AEC	Mark Phillips	G7LTT	Manhattan	g7ltt@g7ltt.com
AEC	Mike Lunetta	W2MPL	Brooklyn	w2mpl@att.net
AEC	John LaSala	N2FWR	Queens	fm1483@aol.com
OES	Arte Booten	N2ZRC	Bronx	n2zrc@webspan.net
OES	Jerrold Loewenthal	W2JER	Brooklyn	jloewe@worldnet.att.net

OES	Darryle Mabe	KB2OQX	Brooklyn	kb2oqx@aol.com
OES	Vincent Mattera	WB2AAP	Brooklyn	wb2aap@juno.com
OES	Theda Roy	N2SHQ	Queens	n2shq@gte.net
OES	Nelson Sidman	N2CKK	Queens	n2ckk@juno.com
OES	John Sullivan	KB2KWI	Queens	john9265@aol.com
OES	Charles Nagy	N2VLT	Staten Island	(No E-mail)
OES	Ron Faup	WA2RF	Staten Island	wa2rf@aol.com



FEMA Independent Study Course List

To view a course description, download course materials, enroll in courses, or take the final exam, select the course you are interested in from the list below.

The course materials are provided in Adobe Acrobat Portable Document Format files. These files are not zipped.

Once you download the files you want into the desired directory, open the Acrobat Reader program and then open the files you want to view or print.

Download directions are also available with each course.

It is recommended that the user download the course material files and view them off-line at their convenience, saving time and money for Internet connect charges.

[IS-1 Emergency Program Manager: An Orientation to the Position](#)

[IS-2 Emergency Preparedness, USA](#)

[IS-3 Radiological Emergency Management](#)

[IS-5 Hazardous Materials: A Citizen's Orientation](#)

[IS-7 A Citizen's Guide to Disaster Assistance](#)

[IS-8 Building for the Earthquakes of Tomorrow: Complying with Executive Order 12699](#)

[IS-10 Animals in Disaster - Module A Awareness and Preparedness](#)

[IS-11 Animals in Disaster - Module B Community Planning](#)

[IS-120, An Orientation to Community Disaster Exercises](#)

[IS-195 Basic Incident Command System](#)

[IS-275 The EOC's Role in Community Preparedness, Response and Recovery Activities](#)

[IS-279 Engineering Principles and Practices for Retrofitting Flood-Prone Residential Structures](#)

[IS-288 The Role of Voluntary Agencies in Emergency Management](#)

[IS-301 Radiological Emergency Response](#)

[IS-324 Community Hurricane Preparedness](#)

[IS-346 An Orientation to Hazardous Materials for Medical Personnel](#)

[IS-393 Introduction to Mitigation](#)

[IS-394 Mitigation for Homeowners](#)

[IS-513 The Professional in Emergency Management](#)

[SS-534: Emergency Response to Terrorism](#) (presented by the National Fire Academy-12 hours)